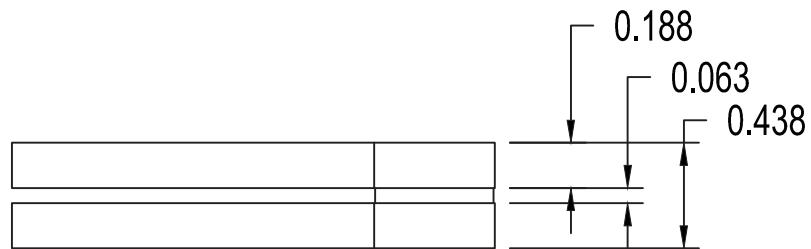
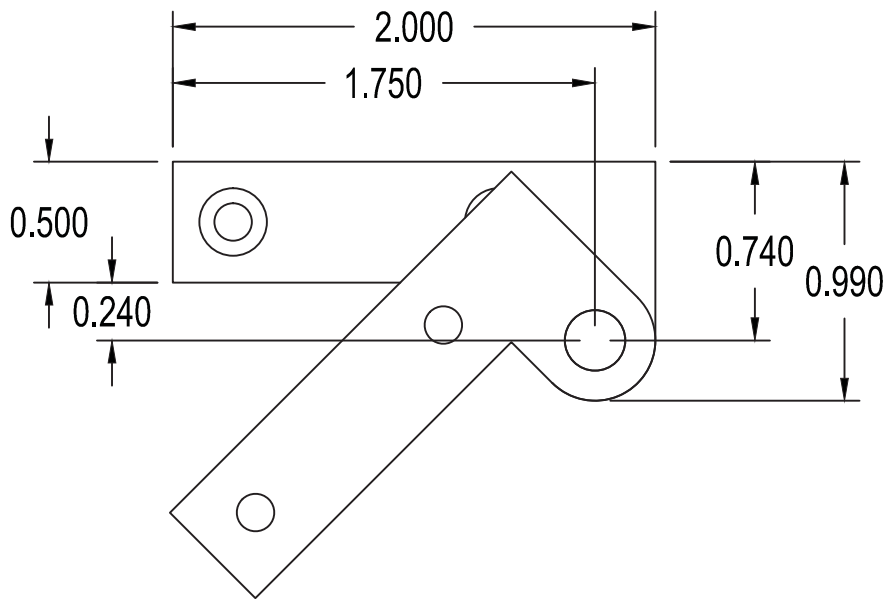
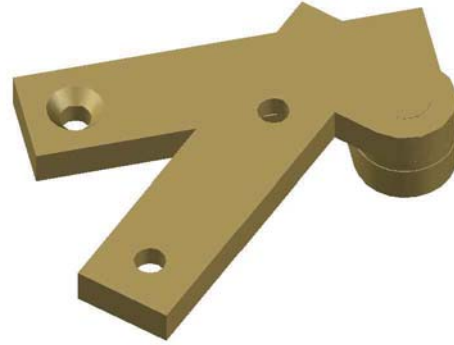


# L 87



Questions- Call before mortising 212-337-8510

**BRUSSO**®  
*American Made*  
**PRECISION HARDWARE**

© 1983-2012 Brusso Hardware LLC  
 67-69 Greylock Avenue  
 Belleville, NJ 07109  
 T 212-337-8510 F 212-337-9840

Product: L 87 Offset Pivot Hinge

Revision: 0

Component: TEMPLATE

Material: BRASS

File Name:  
 L 87 Offset  
 Pivot Hinge

Catalog No: L 87

Drawn By: KCA

Checked By: RB

Tolerances unless otherwise specified: Machined features fraction ± 1/64  
 Decimal .xxx ± .005, Angular ± 1 Degree, Hole Diameter +.003/- .002

Scale: NONE

Date: 2/16/13

Date: 2/25/13

Sheet: 1 of 4