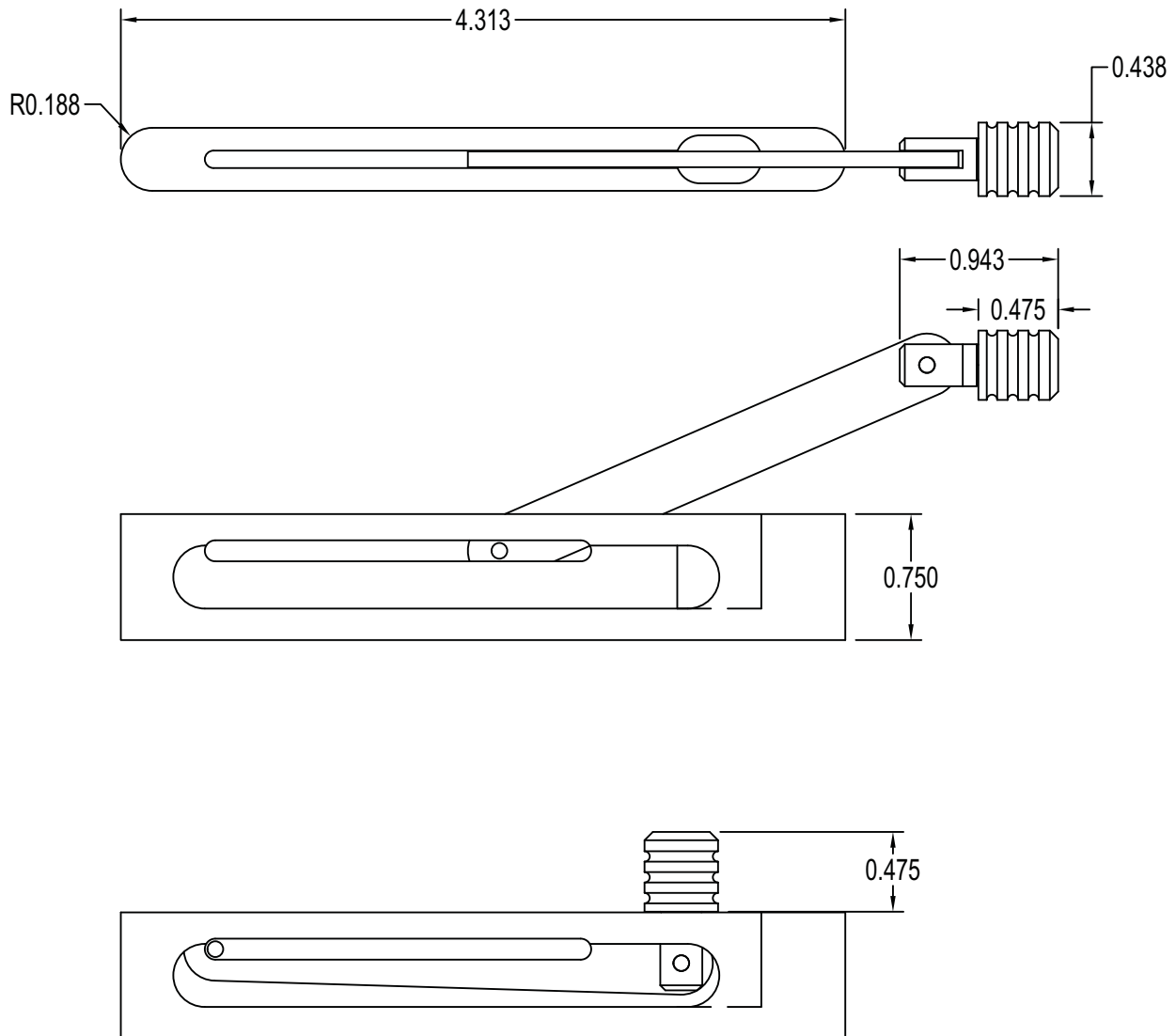


# JB 280



Questions- Call before mortising 212-337-8510

**BRUSSO**®  
*American Made*  
**PRECISION HARDWARE**

©1983-2012 Brusso Hardware LLC  
 67-69 Greylock Avenue  
 Belleville, NJ 07109  
 T 212-337-8510 F 212-337-9840

Product: JB 280 Lid Stay

Revision: 1

Component:

Material: BRASS

File Name:  
 JB 280 LID  
 SUPPORT

Catalog No: JB 280

Drawn By: KB

Checked By: DN

Tolerances unless otherwise specified: Machined features fraction  $\pm 1/64$   
 Decimal .xxx  $\pm .005$ , Angular  $\pm 1$  Degree, Hole Diameter  $+.003/-0.002$

Scale: NONE

Date: 5/21/15

Date: 6/1/15

Sheet: 1 of 5