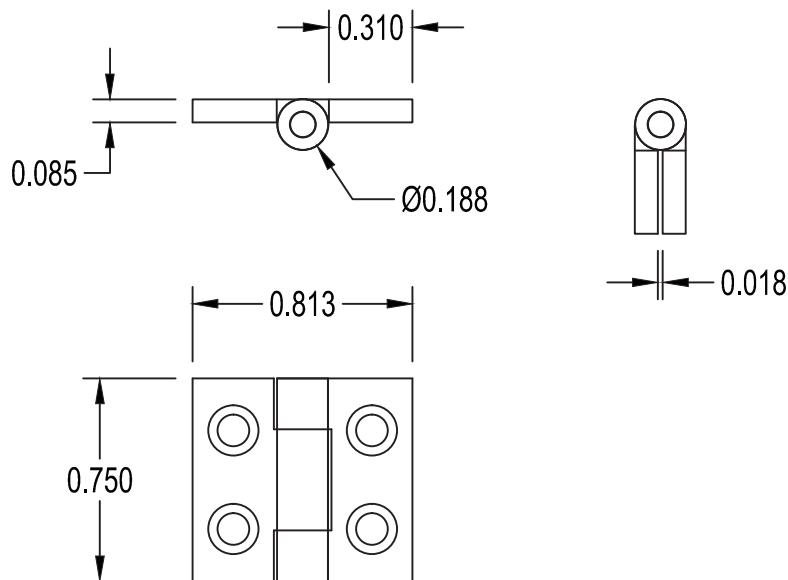
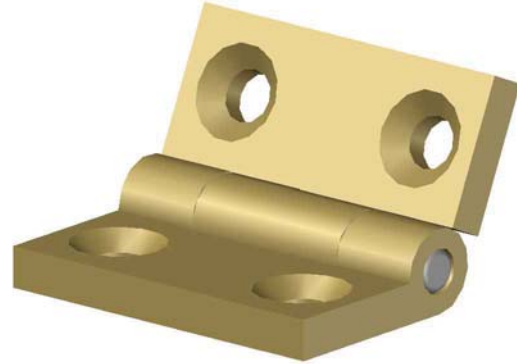


# CB 301



Questions- Call before mortising 212-337-8510

**BRUSSO**®  
*American Made*  
PRECISION HARDWARE

© 1983-2012 Brusso Hardware LLC  
67-69 Greylock Avenue  
Belleville, NJ 07109  
T 212-337-8510 F 212-337-9840

Product: CB 301 HINGE		Revision: 0	
Component: TEMPLATE	Material: BRASS		File Name: CB 301 HINGE
Catalog No: CB 301	Drawn By: KCA	Checked By: RB	
Scale: NONE	Date: 2/13/13	Date: 3/8/13	Sheet: 1 of 4

Tolerances unless otherwise specified: Machined features fraction  $\pm 1/64$   
Decimal  $\pm .005$ , Angular  $\pm 1$  Degree, Hole Diameter  $+0.003/-0.002$