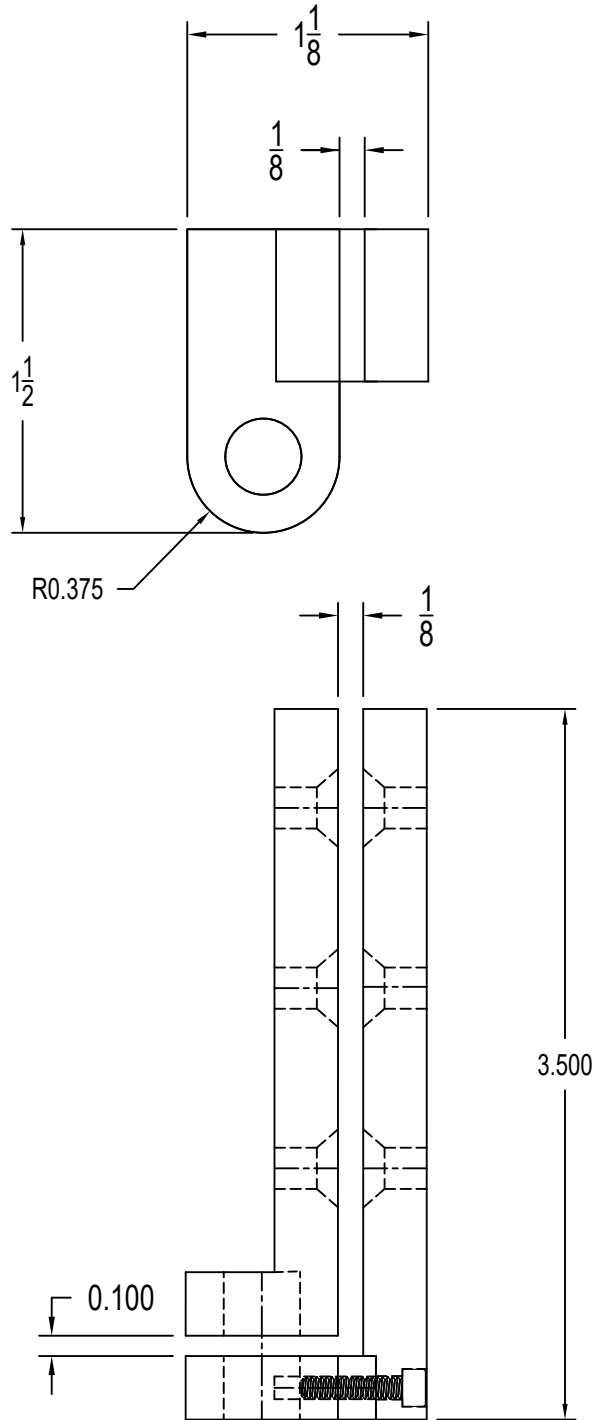


LI 97

NOTE: LI-97RH SHOWN



Questions- Call before mortising 212-337-8510

BRUSSO [®] <i>American Made</i> PRECISION HARDWARE	©1983-2012 Brusso Hardware LLC 67-69 Greylock Avenue Belleville, NJ 07109 T 212-337-8510 F 212-337-9840	Product: LI 97		Revision: 2
		Component:	Material: BRASS	File Name: LI 97 Intermediate Hinge
Tolerances unless otherwise specified: Machined features fraction $\pm 1/64$ Decimal .xxx $\pm .005$, Angular ± 1 Degree, Hole Diameter $+ .003/- .002$		Catalog No: LI 97	Drawn By: KB	Checked By:
		Scale: NONE	Date: 11/30/15	Date:
			Sheet: 1 of 6	