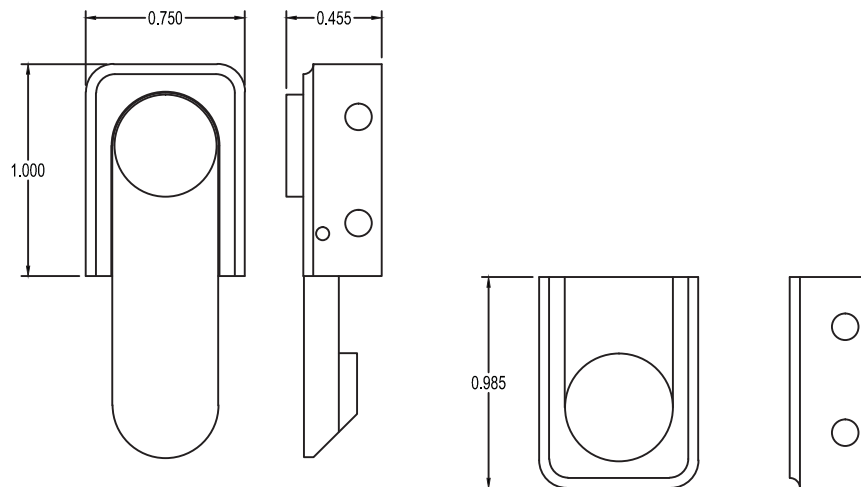
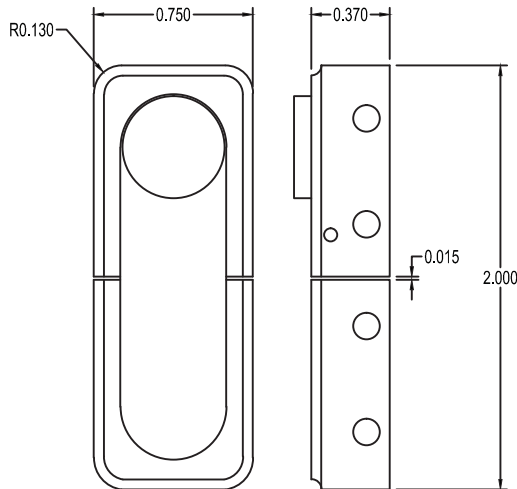


JB 828



Questions- Call before mortising 212-337-8510

BRUSSO[®]
American Made
PRECISION HARDWARE

© 1983-2012 Brusso Hardware LLC
67-69 Greylock Avenue
Belleville, NJ 07109
T 212-337-8510 F 212-337-9840

Product: JB 828 BOX LATCH

Revision: 0

Component: TEMPLATE

Material: BRASS

File Name:
JB 828 BOX
LATCH

Catalog No: JB 828

Drawn By: KCA

Checked By: RB

Tolerances unless otherwise specified: Machined features fraction $\pm 1/64$
Decimal .xxx $\pm .005$, Angular ± 1 Degree, Hole Diameter $+0.003/-0.002$

Scale: NONE

Date: 3/11/13

Date: 4/16/13

Sheet: 1 of 5