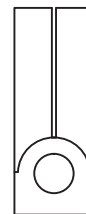
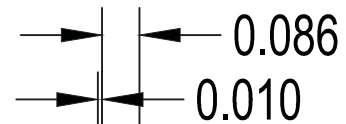
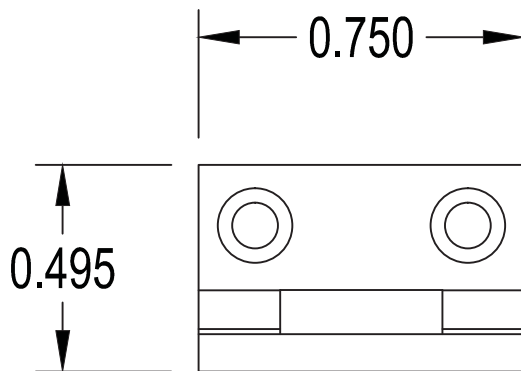
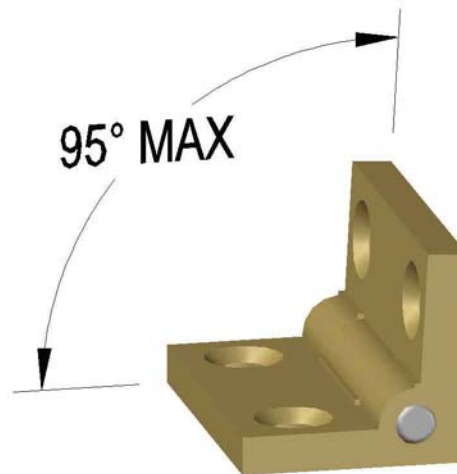


JB 101



Questions- Call before mortising 212-337-8510

BRUSSO[®]
American Made
PRECISION HARDWARE

© 1983-2012 Brusso Hardware LLC
67-69 Greylock Avenue
Belleville, NJ 07109
T 212-337-8510 F 212-337-9840

Product: JB 101 FULL MORTISE STOP HINGE			Revision: 0
Component: TEMPLATE		Material: BRASS	
Catalog No: JB 101	Drawn By: KCA	Checked By: RB	File Name: JB 101 STOP HINGE
Scale: NONE	Date: 3/8/13	Date: 3/11/13	Sheet: 1 of 4

Tolerances unless otherwise specified: Machined features fraction $\pm 1/64$
Decimal $\pm .005$, Angular ± 1 Degree, Hole Diameter $+0.003/-0.002$