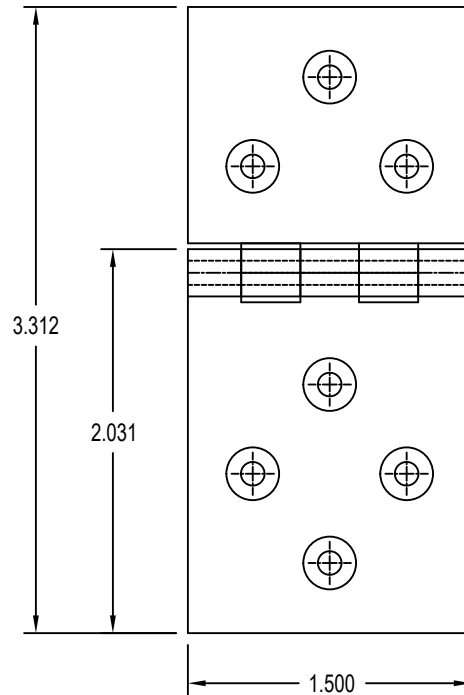
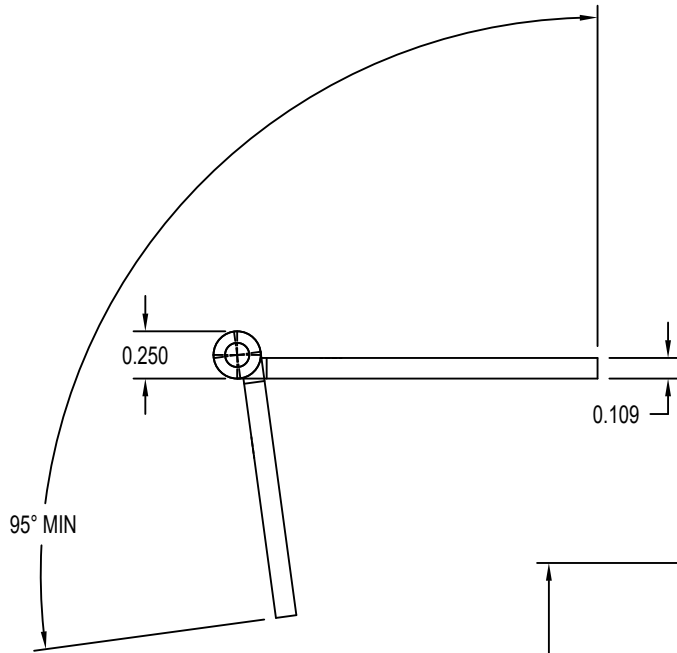


DL 302



Questions- Call before mortising 212-337-8510

BRUSSO®
American Made
 PRECISION HARDWARE

©1983-2012 Brusso Hardware LLC
 67-69 Greylock Avenue
 Belleville, NJ 07109
 T 212-337-8510 F 212-337-9840

Product: DL 302

Revision: 2

Component: HINGE

Material: BRASS

File Name:
 DL 302
 DROP LEAF HINGE

Catalog No: DL 302

Drawn By: KB

Checked By: DN

Tolerances unless otherwise specified: Machined features fraction $\pm 1/64$
 Decimal .xxx $\pm .005$, Angular ± 1 Degree, Hole Diameter $+.003/-0.002$

Scale: NONE

Date: 8/24/16

Date: 8/24/16

Sheet: 1 of 2