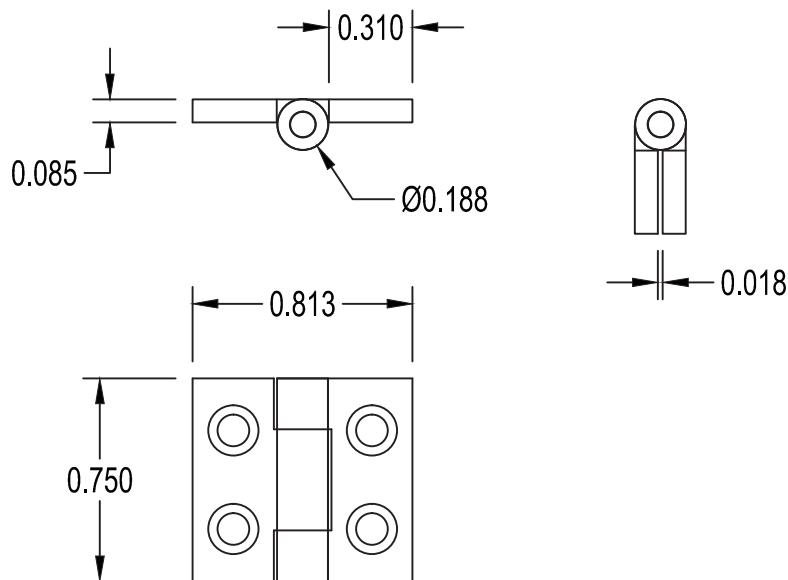
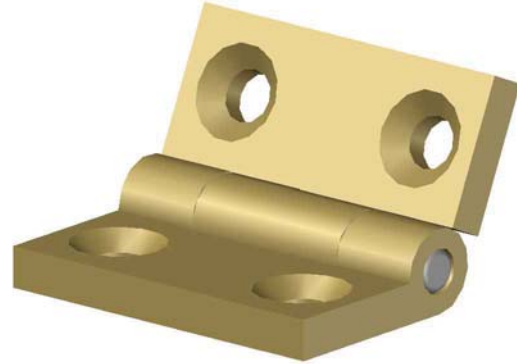


CB 301



Questions- Call before mortising 212-337-8510

BRUSSO®
American Made
PRECISION HARDWARE

© 1983-2012 Brusso Hardware LLC
67-69 Greylock Avenue
Belleville, NJ 07109
T 212-337-8510 F 212-337-9840

Product: CB 301 HINGE		Revision: 0	
Component: TEMPLATE		Material: BRASS	
Catalog No: CB 301	Drawn By: KCA	Checked By: RB	File Name: CB 301 HINGE
Scale: NONE	Date: 2/13/13	Date: 3/8/13	Sheet: 1 of 4

Tolerances unless otherwise specified: Machined features fraction $\pm 1/64$
Decimal $\pm .005$, Angular ± 1 Degree, Hole Diameter $+0.003/-0.002$