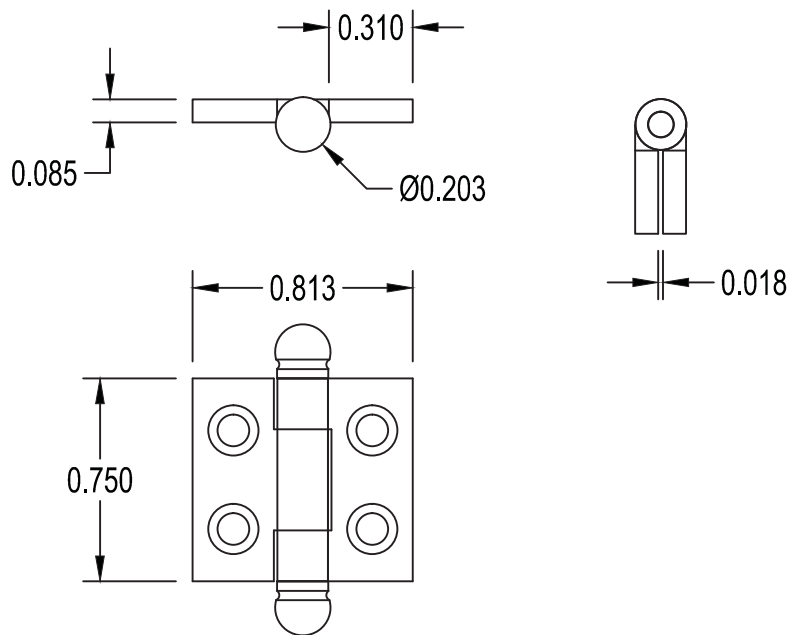
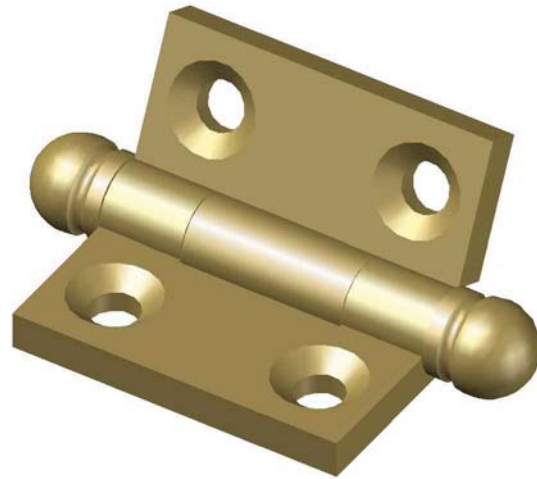


CB 301B



Questions- Call before mortising 212-337-8510

BRUSSO®
American Made
 PRECISION HARDWARE

© 1983-2012 Brusso Hardware LLC
 67-69 Greylock Avenue
 Belleville, NJ 07109
 T 212-337-8510 F 212-337-9840

Product: CB 301B HINGE		Revision: 0	
Component: TEMPLATE		Material: BRASS	
Catalog No: CB 301B	Drawn By: KCA	Checked By: RB	File Name: CB 301B HINGE
Scale: NONE	Date: 3/8/13	Date: RB	Sheet: 1 of 4

Tolerances unless otherwise specified: Machined features fraction $\pm 1/64$
 Decimal .xxx $\pm .005$, Angular ± 1 Degree, Hole Diameter $+ .003/- .002$