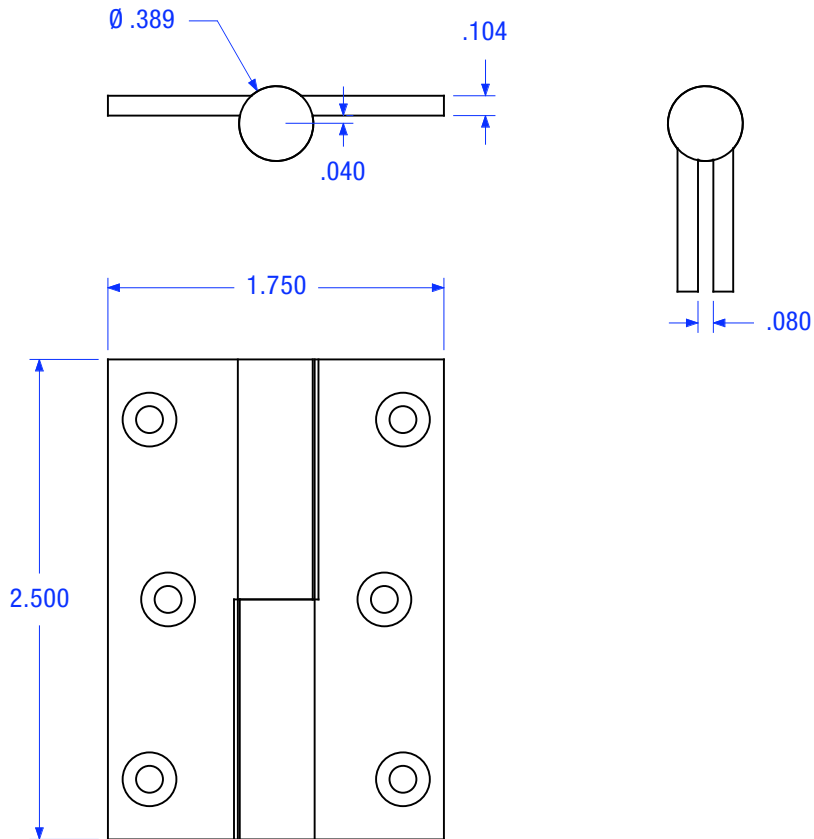


LH-201



Do not scale drawing

Questions- Call before mortising 212-337-8510

BRUSSO ® <i>Incorporated</i> PRECISION HARDWARE	© 1983-2003 Brusso Inc. 20 Vandam Street New York, NY 10013 212 337 8510 Fax 212 337 9840	Product: LH-201 Lift Off Hinge		Revision: 0
		Component: Template		File Name: LH-201 Lift Off Hinge -Rev 0
Tolerances unless otherwise specified: Machined features fraction +/- 1/64, Decimal .XXXX +/- .0005, .XXX +/- .005, Angular +/- 1 Degree, Hole Diameter +.003/-0.02		Catalog Number: LH-201	Drawn by: AS	Checked by: AS
		Scale: 1:1	Date: 03/30/04	Date: 03/30/04