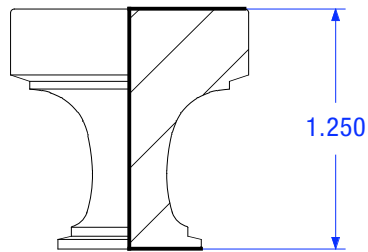
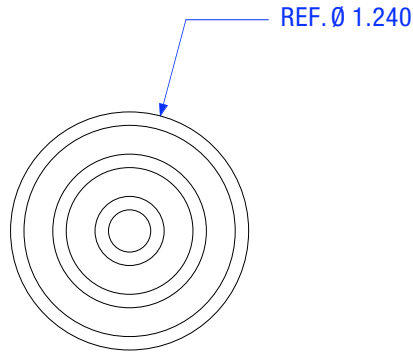


CK-202



Do not scale drawing

Questions- Call before mortising 212-337-8510

BRUSSO ® <i>Incorporated</i> PRECISION HARDWARE	© 1983-2008 Brusso Inc. 20 Vandam Street New York, NY 10013 212 337 8510 Fax 212 337 9840	Product:CK-202		Revision: 1.0
		Component: Template		File Name: CK-202 -Rev 1.0
<small>Unless otherwise specified, all dim are in inches, material is Brass, tolerances: Machined features fraction +/- 1/64, Decimal .XXXX +/- .0005, .XXX +/- .005, Angular +/- 1 Degree, Screw hole dia +.003/- .002</small>		Catalog Number:CK-202	Drawn by:AI	Checked by:BF
		Scale: 1:1	Date: 03/27/08	Date: 03/28/08
				Sheet: 1 of 4